



Stainless Steel Camera Housing

254 Series

AISI316L Stainless Steel construction
For use in highly corrosive environments
Easy installation and maintenance
Wiper and washer version available
Weatherproof standard IP67
Suitable for very big zoom lenses



- It's really hard to find a camera housing which can both protect from aggressive environment and suit very big lenses and cameras. In this case, 254 series is the best choice. The outer body diameter measures 10 inches (254mm) and can be 600 or 700 mm long. This is the biggest size available on the market and it's the only stainless steel housing solution for biggest zoom lenses, such as Raymax "cats 2000", Myutron PH33X16HS-RGE, Fujinon C22 and D60 series, Pentax H20ZAME and H55ZAME series, Kowa LMZ1000AM and its high quality is unique, like its 200 mm usable front window diameter.

The housing is entirely made in AISI316L stainless steel, therefore it guarantee absolute reliability and protection in every environmental condition, even the worst. The stainless steel bracket is conceived to reduce vibrations and to keep the housing still in most windy places and for those special applications that require the absence of any vibrations. Install and maintenance tasks are really easy and the price is affordable.

On request there is a sunshield and a heater model. A version of the housing with integrated wiper system is available too (254WW), as well as an extensive range of washer fluid tanks with integral pumps and a variety of mounting brackets and accessories. IR applications requests can be satisfied with different sizes germanium front windows.



Technical Specifications



MODELS

254*	Housing (Length=600mm)
254-L*	Housing (Length=700mm)
254SH*	Housing (600mm) + Sunshield + Heater
254SH-L*	Housing (700mm) + Sunshield + Heater
254WW**	Housing (600mm) + Sunshield + Heater + Wiper
254WW-L**	Housing (700mm) + Sunshield + Heater + Wiper
254IR155***	Housing (600mm)
254IR155-L***	Housing (700mm)
254SHIR155***	Housing (600mm) + Sunshield + Heater
254SHIR155-L***	Housing (700mm) + Sunshield + Heater
254WWIR155***	Housing (600mm) + Sunshield + Heater + Wiper
254WWIR155-L***	Housing (700mm) + Sunshield+ Heater + Wiper

- * Usable front windows diameter: 200 mm; thickness 5mm.
- ** Usable front window diameter: 200 mm; vandal resistant glass 12 mm thickness
- *** Usable front window diameter: 155 mm; Germanium window, thickness 5 mm, AR/DLC coating.

Note: all models are available also in 500 mm length, we are also ready to fulfil any particular request such as different housing length or different glass diameter

GENERAL & MECHANICAL

Construction: AISI316L Stainless Steel
Finish: Electro-polished

External Dimensions

Model	HxW [mm]	L [mm]
254SH (sunshield included)	291x302	770
254SH-L (sunshield included)	291x302	870

Internal dimensions, Maximum camera + lens size:

Model	HxW [mm]	L [mm]
254	177x177	600
254-L	177x177	700
254WW	177x177	472
254WW-L	177x177	572

Weight [kg]

Model	Unit	Package
254/254SH	26	27
254-L/254SH-L	28,5	29,5
254WW	26,5	27,5
254WW-L	28,5	29,5
254IR155	26,5	27,5
254IR155-L	29,5	30,5
254WWIR155	27	28
254WWIR155-L	29,5	30,5

Cable Entry:

4 M20x1,5 nickel plated brass cable glands (included). Standard cable diameter 6-10mm, upon request cable diameter 8-12mm. Different cable entries are available to meet every installation requirement.

ELECTRICAL

Thermostatically controlled Heater:

T[°C] ON = 15 ± 4°C, T[°C] OFF = 23 ± 3°C

Available voltages: 24,110, 240 VAC (specified at order)
Power consumption: 20W

Wiper:

Available voltages: 24VAC (8W), 240VAC (8W), 24VDC (4W) (specified at order)

Washer Pump:

A wide range of water reservoirs with different pumping height capabilities is available:

WP5-5m	5 Litres tank, 5 metres delivery head
WP10-5m	10 Litres tank, 5 metres delivery head
WP25-5m	25 Litres tank, 5 metres delivery head
WP5-10m	5 Litres tank, 10 metres delivery head
WP10-10m	10 Litres tank, 10 metres delivery head
WP25-10m	25 Litres tank, 10 metres delivery head
WP25-15m	25 Litres tank, 15 metres delivery head
WP25-10m-SS*	25 Litres tank, 10 metres delivery head
WP25-15m-SS*	25 Litres tank, 15 metres delivery head

* Entirely made in AISI316L stainless steel

RECOMMENDED MOUNTING ACCESSORIES

SSBK254	AISI316L Stainless Steel wall mounting bracket with swivel
SSPM254	AISI316L Stainless Steel Pole Mount adapter
SSPT300	AISI316L Stainless Steel Pan & Tilt unit

CERTIFICATIONS

Weatherproof standard: IP67

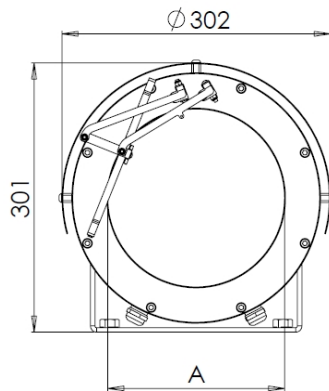
CE Compliant

RECOMMENDED SPARE PARTS AND ACCESSORIES

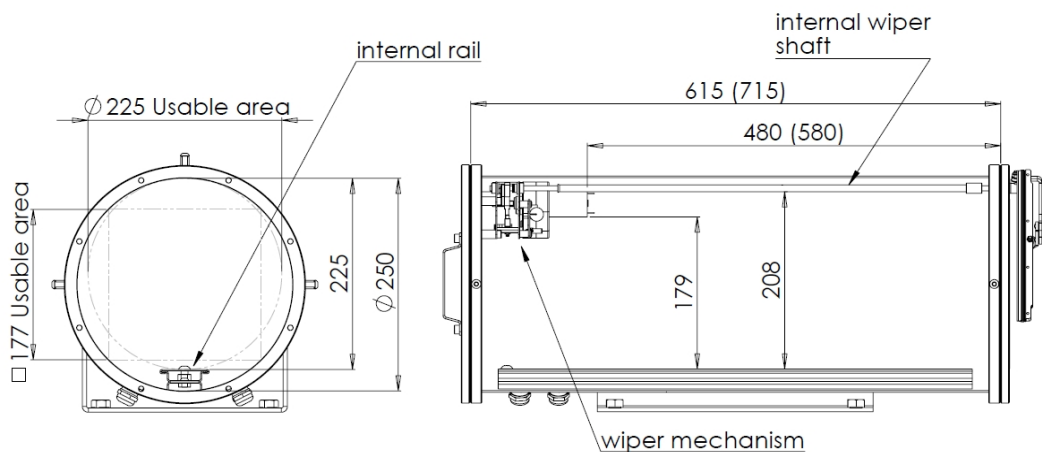
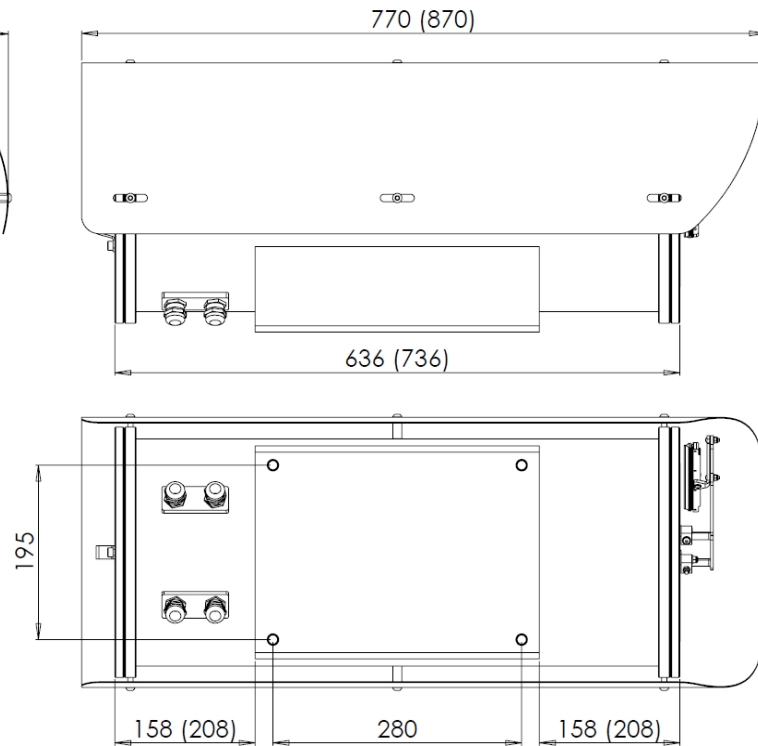
WB254:	Complete wiper blade assembly
WBK254:	Wiper blade spare part (only rubber blade and support)
HK254:	Heater Kit 20W (24VDC, 24VAC, 100 VAC or 240 VAC available)
MK254:	Maintenance Kit with O-ring seals, screws seals, screws, cable glands (2), desiccant bags.

Dimensions

FRONTAL VIEW



SIDE VIEW



Dimensions in brackets refer to models 254 with 700 mm tube length.

Available measures for "A"

A = **200** mm for 254, 254-L, 254SH, 254SH-L, 254WW and 254WW-L

A = **155** mm for 204IR155, 254IR155-L, 254SHIR155, 254SHIR155-L, 254WWIR155 and 254WWIR-L (germanium window)