

## Mounting Brackets and Adapters

For use in highly corrosive environments  
 AISI316L Stainless Steel construction  
 Suitable for every housing  
 Easy installation  
 Refined and modern design

# Accessories

- Placing a stainless steel camera housing in a safe and solid way is essential for quality viewings. For this reason, Tecnovideo proposes a series of mounting accessories suitable for each of camera housings available. Tecnovideo makes available a set of stainless steel wall mounting brackets with swivel joint and a set of pole and corner mount adapters. Every bracket is entirely made in AISI316L stainless steel to guarantee duration and reliability in every environment, even the worst.



■ SSBK129  
Stainless steel wall mounting bracket with swivel joint

## TECHNICAL SPECIFICATIONS

### MODELS

SSBK129	Wall mounting bracket for 129 series
SSBK168	Wall mounting bracket for 168 series
SSBK168LC	Wall mounting bracket for 168LC series
SSBK204	Wall mounting bracket for 204 series
SSBK300	Wall mounting bracket for SSPT300
SSCM129	Corner mount adapter for SSBK129
SSPM129	Pole mount adapter for SSBK129
SSPM168	Pole mount adapter for SSBK168
SSPM168LC	Pole mount adapter for SSBK168LC
SSPM204	Pole mount adapter for SSBK204
SSPM300	Pole mount adapter for SSBK300

### GENERAL

**Construction:** AISI316L Stainless Steel  
**Finish:** Electro-polished

### DIMENSIONS AND WEIGHT

#### Dimensions

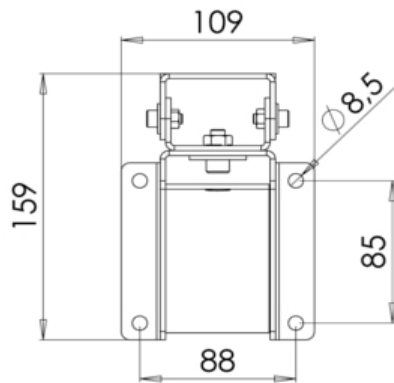
See drawings next page

#### Weight [kg]

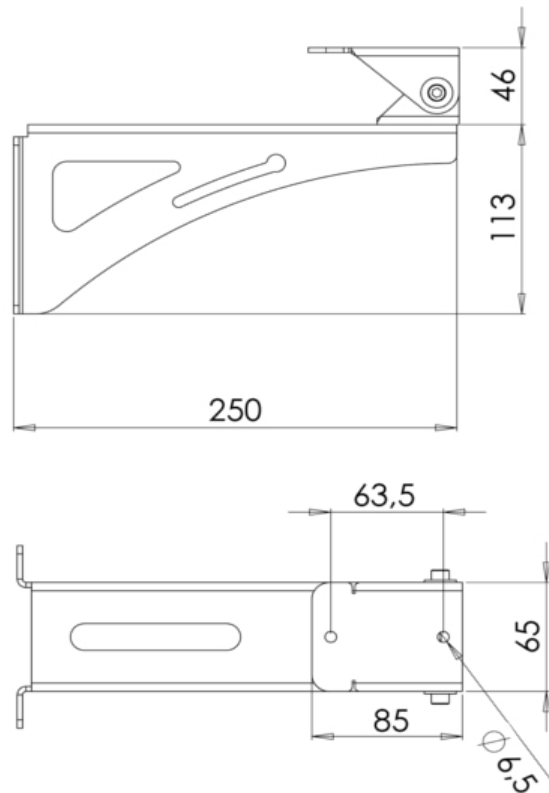
Model	Unit	Package
SSBK129	1.5	2.5
SSBK168	5.5	6.5
SSBK168LC	5.5	6.5
SSBK204	5.5	6.5
SSBK300	5	6
SSCM129	1.5	2.5
SSPM129	3	4
SSPM168	5	6
SSPM168LC	5	6
SSPM204	5	6
SSPM300	5	6

# Dimensions

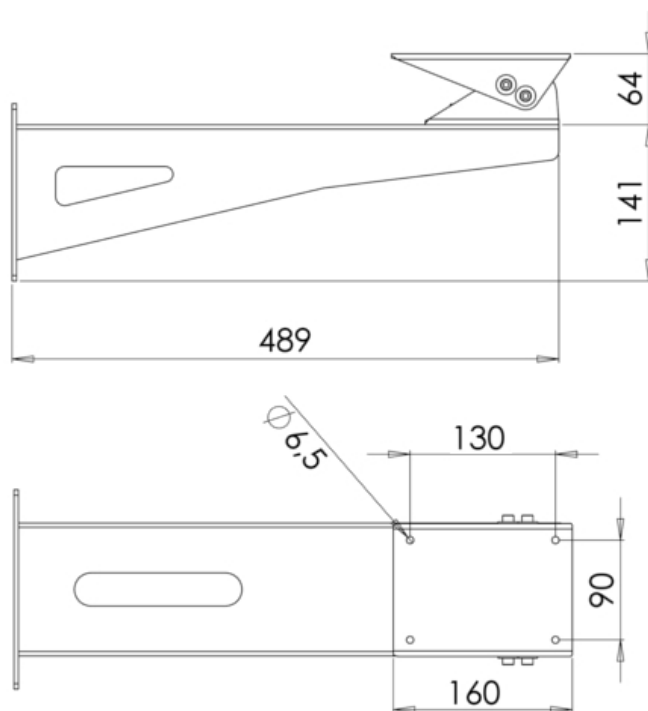
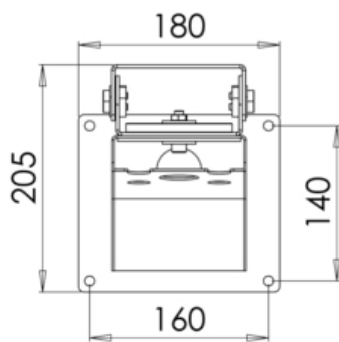
**FRONTAL VIEW**



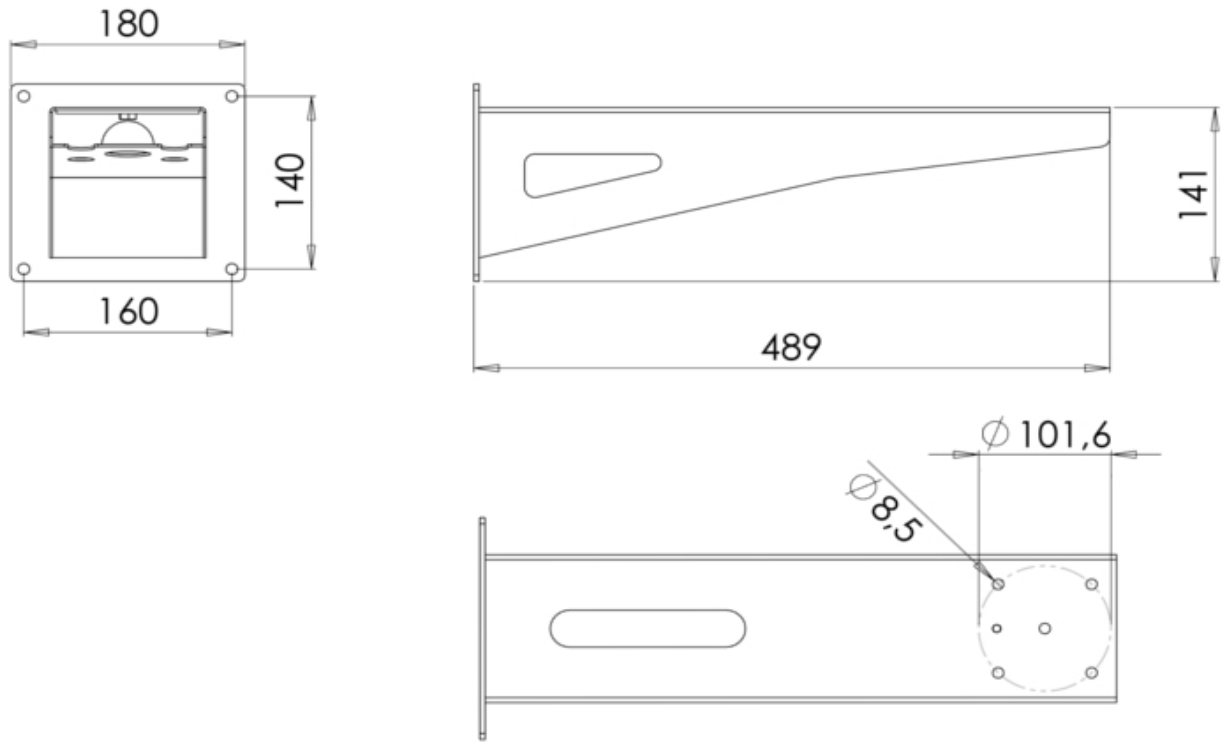
**SIDE VIEW**



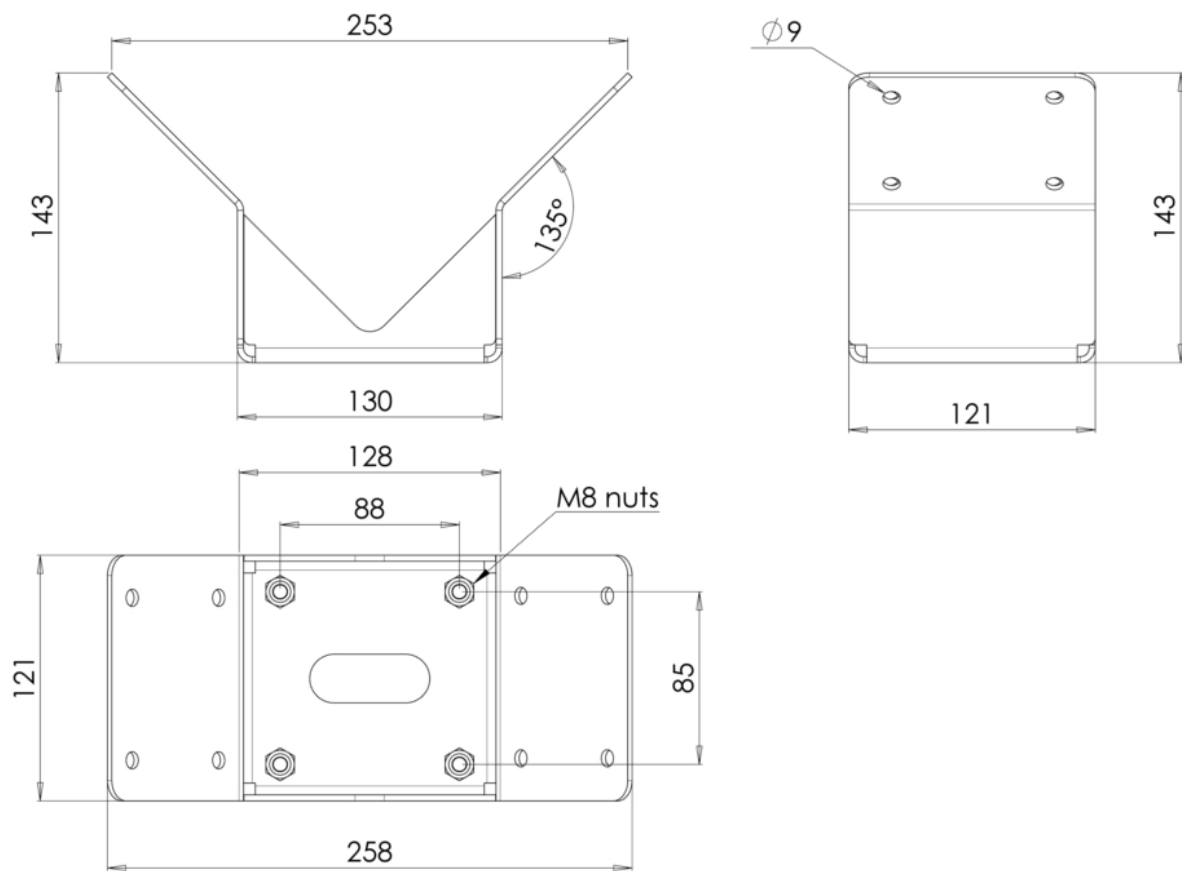
SSBK129 orthographic views



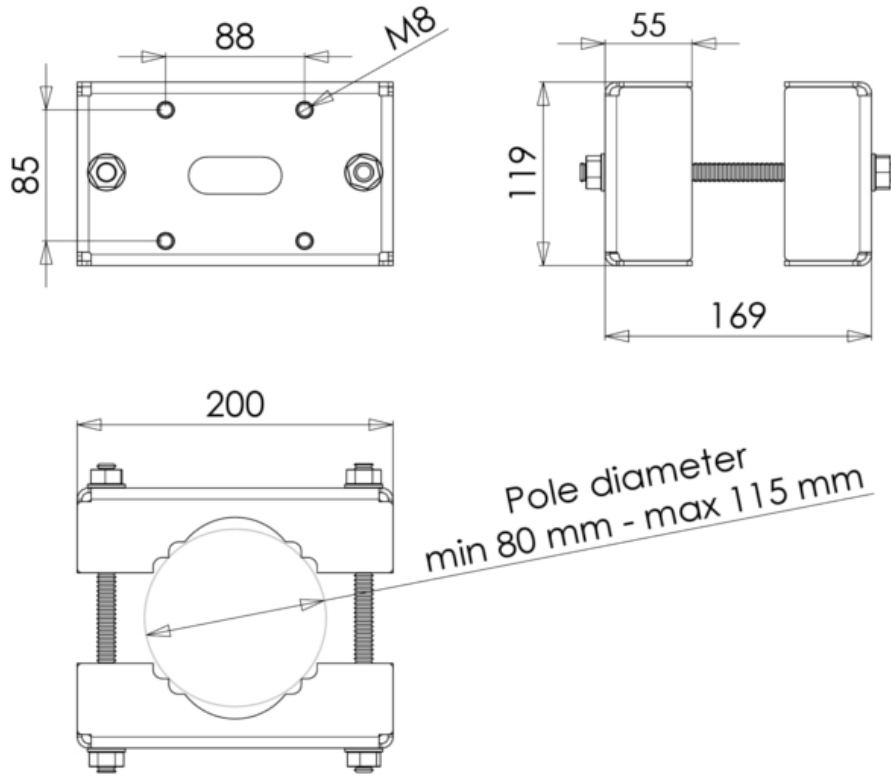
SSBK168/SSBK168LC/SSBK204 orthographic views



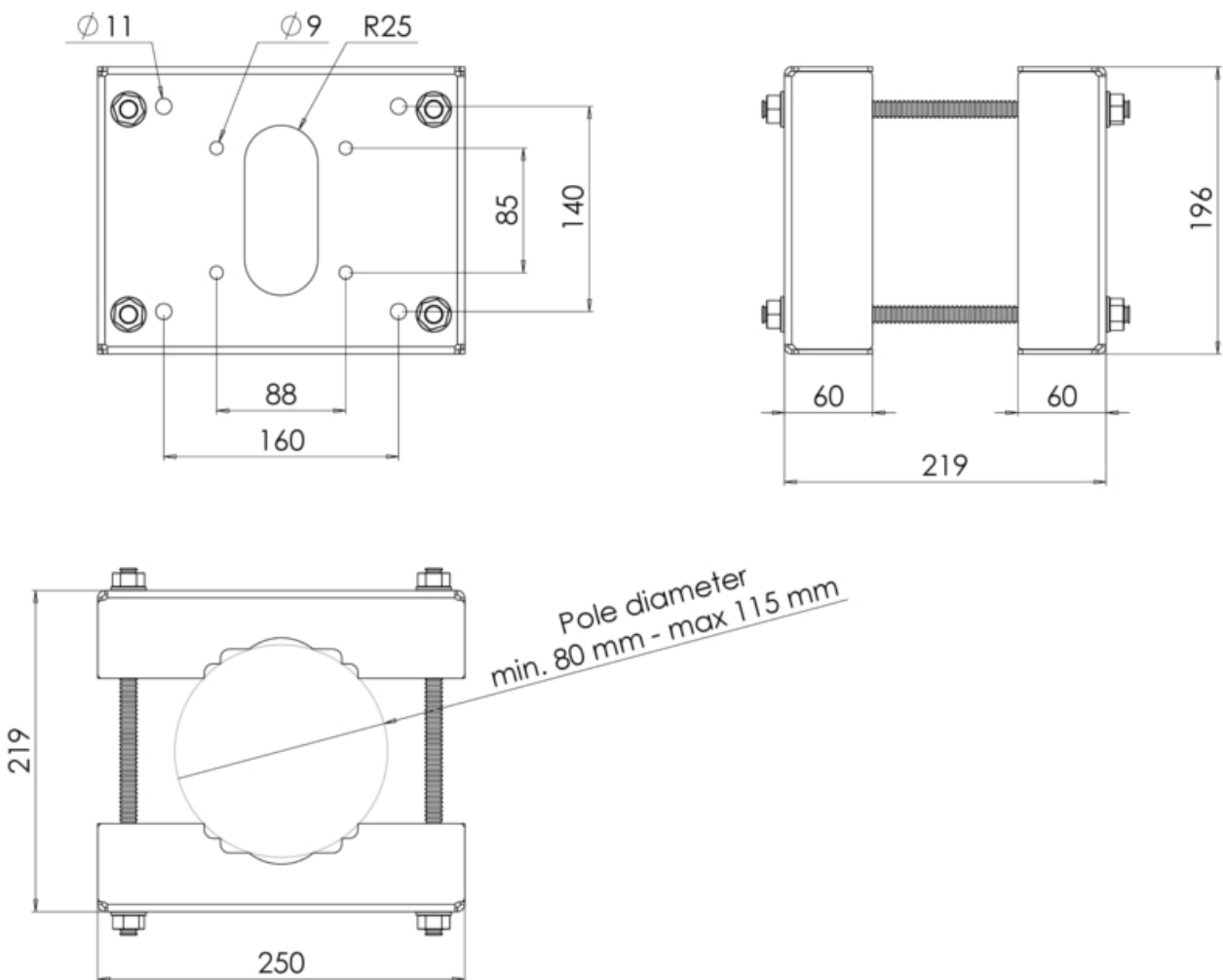
SSBK300 orthographic views



SSCM129 orthographic views



SSPM129 orthographic views



SSPM168/SSPM168LC/SSPM204/SSPM300 orthographic views

Dimensions in millimeters - Design and product specifications subject to change without notice