

Washer Tanks With Integral Pump

WP Series

- AISI304L Stainless Steel frame construction
- 5, 10 and 25 litres reservoirs capacities
- 5, 10 and 15 m max delivery head pumps
- Easy installation and maintenance
- Weatherproof standard IP56
- Refined and modern design



■ WP5, WP10 and WP25
Washer tanks for camera housings with wiper systems

- When using a camera housing with wiper, an essential and very important part of the system is the washer tank with pump. Tecnovideo produces a wide range of water reservoirs with different pumping height capabilities. Every washer tank is supplied with a stainless steel frame and a watertight plastic enclosure that contains the power supply for the self-priming submersible pump located inside the tank. 5, 10, 25 Litres tanks are available with 5, 10, 15 metres max delivery head and 12 VDC, 24 VAC, 24 VDC, 110 VAC, 240 VAC supply voltage, to meet every installation requirement.

TECHNICAL SPECIFICATIONS

DIMENSIONS AND WEIGHT

Dimensions

See drawings next page

Weight [kg]

Model	Unit	Package
WP5	3	4
WP10	6	7
WP25	10	11

ELECTRICAL

Input voltage

Standard 24 or 240 VAC (upon request: 110 VAC, 24 VDC)

Power consumption [W]

Model	Power consumption
5 metres pump	12
10 metres pump	24
15 metres pump	55

CERTIFICATIONS

IP56 standard (plastic junction box)

IP66 standard (only WP25-10m-SS and WP25-15m-SS)

OPTIONAL ACCESSORIES

SSPM	AISI316L Stainless Steel pole mount adapter for WP5 model
SSPM300	AISI316L Stainless Steel pole mount adapter for WP10 and WP25 models

MODELS

WP5-5m	5 Litres tank, 5 metres delivery head
WP5-10m	5 Litres tank, 10 metres delivery head
WP10-5m	10 Litres tank, 5 metres delivery head
WP10-10m	10 Litres tank, 10 metres delivery head
WP25-5m	25 Litres tank, 5 metres delivery head
WP25-10m	25 Litres tank, 10 metres delivery head
WP25-15m	25 Litres tank, 15 metres delivery head
WP25-10m-SS*	25 Litres tank, 10 metres delivery head
WP25-15m-SS*	25 Litres tank, 15 metres delivery head

* Entirely made in AISI316L stainless steel

GENERAL

Frame

Construction: AISI304 Stainless Steel
Finish: Electro-polished

Tank

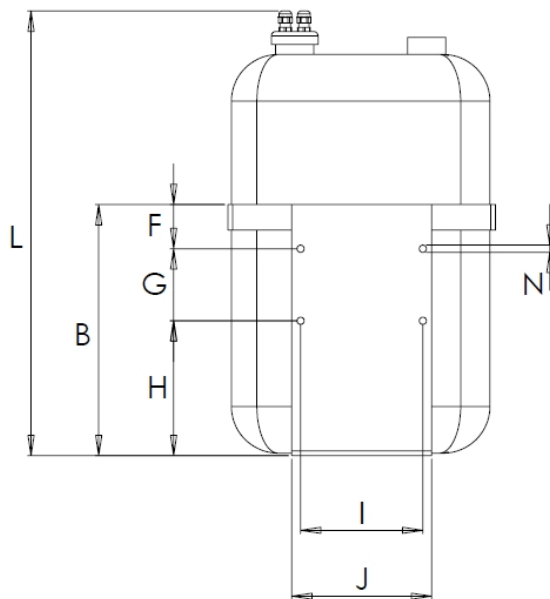
Material: polyethylene high density and molecular weight (HDPE HMW) highly resisting to chemical products

Hose

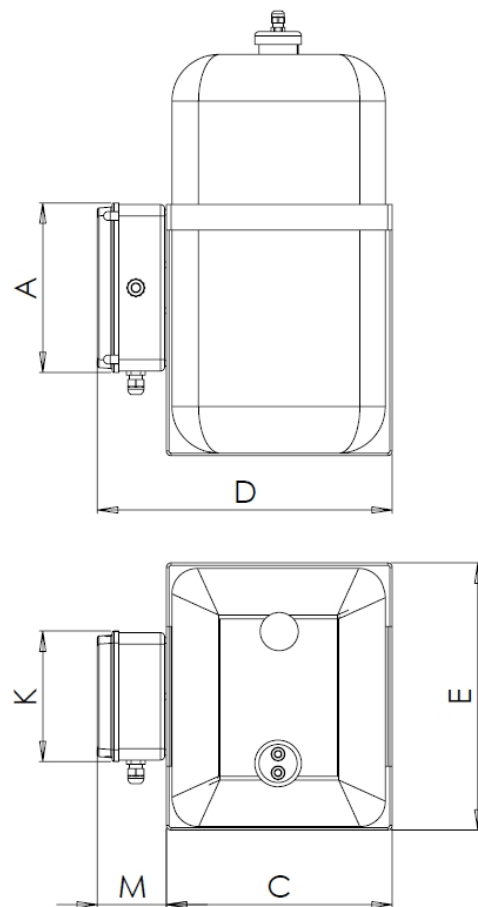
Material: EPDM black rubber 4x6mm diameter

Dimensions

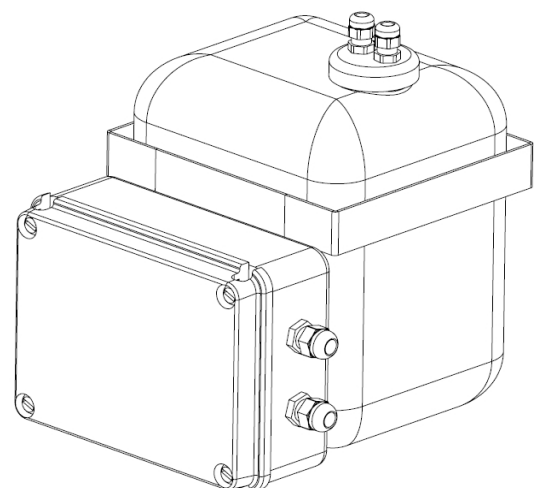
FRONTAL VIEW



SIDE VIEW



	WP5	WP10	WP25
A	154	200	200
B	185	250	296
C	178	200	266
D	259	281	347
E	190	235	315
F	75	110	52
G	85	85	85
H	25	55	159
I	88	144	144
J	110	165	165
K	150	150	150
L	260	340	500
M	81	81	81
N	8,5	8,5	8,5



Position of the junction box on WP5

Dimensions in millimeters - Design and product specifications subject to change without notice