

Stainless Steel Camera Housing

# 204 Series

AISI316L Stainless Steel construction  
For use in highly corrosive environments  
Easy installation and maintenance  
Wiper and washer version available  
Weatherproof standard IP67  
Refined and modern design



■ 204SH110 + SSPT300  
Housing with sunshield and Pan & Tilt unit

■ It's usually hard to find a suitable camera housing for very big cameras. This problem emerges in a tragic way especially when there is the need of an important protection because of an aggressive environment.

The 204 series is a stainless steel camera housing designed for cameras and similar devices which size is really big and need to be placed in industrial, marine and highly corrosive environments.

These housings diameter is 204 mm, which is among the biggest sizes available on the market, perfect for all the big zoom lenses and related cameras.

The housing, entirely made in AISI316L stainless steel, is made to guarantee protection and reliability in all ambient condition. Further features are easy installation and maintenance tasks and a really competitive price.

Furthermore, we gave particular attention to design an elegant and professional appearance for this housing series.

The 204 series can be brought with many variations and options.

Two lengths are available (500 and 600 mm).

Usable front window diameters are 110 and 145 mm.

Available options:

- Sunshield and thermostatically controlled heater
- Wiper system
- Liquid cooling system
- Germanium window for IR filming with three different window sizes (diameter 70, 110 and 145 mm)

Available accessories:

- SSBK204: wall mounting bracket with swivel joint
- SSPM204: pole mount adaptor
- SSPT300: pan & tilt unit



■ 204SHIR Custom + SSBK204  
Housing for IR viewings and wall mount bracket;  
custom made model with front window shutter

# Technical Specifications



## MODELS

204-110*	Housing (Length=500mm). UW:110
204-110-L*	Housing (Length=600mm). UW:110
204SH110*	Housing (500mm)+Sunshield+Heater. UW:110
204SH110-L*	Housing (600mm)+Sunshield+Heater. UW:110
204-145*	Housing (500mm). UW:145
204-145-L*	Housing (600mm). UW:145
204SH145*	Housing (500mm) + Sunshield + Heater. UW:145
204SH145-L*	Housing (600mm) + Sunshield + Heater. UW:145
204WW120**	Housing (500mm) + Sunshield + Heater + Wiper. UW:120mm
204WW120-L**	Housing (600mm) + Sunshield + Heater + Wiper. UW:120mm
204WW140**	Housing (500mm) + Sunshield + Heater + Wiper. UW:140mm
204WW140-L**	Housing (600mm) + Sunshield + Heater + Wiper. UW:140mm
204IR70***	Housing (500mm) UW:70. Shutter optional
204IR70-L***	Housing (600mm) UW:70. Shutter optional
204SHIR70***	Housing (500mm)+Sunshield+Heater. UW:70
204SHIR70-L***	Housing (600mm)+Sunshield+Heater. UW:70
204WWIR70***	Housing (500mm) + Sunshield + Heater + Wiper. UW:70mm
204WWIR70-L***	Housing (600mm) + Sunshield + Heater + Wiper. UW:70mm
204IR110***	Housing (500mm) UW:110
204IR110-L***	Housing (600mm) UW:110
204SHIR110***	Housing (500mm)+Sunshield+Heater. UW:110
204SHIR110-L***	Housing (600mm)+Sunshield+Heater. UW:110
204WWIR110***	Housing (500mm) + Sunshield + Heater + Wiper. UW:110mm
204WWIR110-L***	Housing (600mm) + Sunshield + Heater + Wiper. UW:110mm
204IR145***	Housing (500mm) UW:145
204IR145-L***	Housing (600mm) UW:145
204SHIR145***	Housing (500mm)+Sunshield+Heater. UW:145
204SHIR145-L***	Housing (600mm)+Sunshield+Heater. UW:145

\* UW=Usable front window diameter; thickness 5mm.  
 \*\* UW=Usable front window diameter; vandal resistant glass 12mm thickness  
 \*\*\* UW=Usable window diameter; Germanium window, thickness 3 mm, AR/DLC coating.

## ELECTRICAL

**Thermostatically controlled Heater:**  
**T[°C] ON = 15 ± 4°C, T[°C] OFF = 23 ± 3°C**  
 Available voltages: 24,110, 240 VAC (specified at order)  
 Power consumption: 15W

**Wiper:**  
 Available voltages: 24VAC (8W), 240VAC (8W), 24VDC (4W) (specified at order)

**Cable Entry:**  
 4 M20x1,5 nickel plated brass cable glands (included).  
 Standard cable diameter 6-10mm, upon request cable diameter 8-12mm. Different cable entries are available to meet every installation requirement.

## Washer Pump:

A wide range of water reservoirs with different pumping height capabilities is available:

WP5-5m	5 Litres tank, 5 metres delivery head
WP10-5m	10 Litres tank, 5 metres delivery head
WP25-5m	25 Litres tank, 5 metres delivery head
WP5-10m	5 Litres tank, 10 metres delivery head
WP10-10m	10 Litres tank, 10 metres delivery head
WP25-10m	25 Litres tank, 10 metres delivery head
WP25-15m	25 Litres tank, 15 metres delivery head
WP25-10m-SS*	25 Litres tank, 10 metres delivery head
WP25-15m-SS*	25 Litres tank, 15 metres delivery head

\* Entirely made in AISI316L stainless steel

## GENERAL & MECHANICAL

**Construction:** AISI316L Stainless Steel  
**Finish:** Electro-polished

### External Dimensions

Model	HxW [mm]	L [mm]
204SH (sunshield included)	260x242	650
204SH-L (sunshield included)	260x242	750

### Internal dimensions, Maximum camera + lens size:

Model	HxW [mm]	L [mm]
204	130x130	489
204-L	130x130	589
204WW	130x130	345
204WW-L	130x130	445

### Weight [kg]

Model	Unit	Package
204-110/204IR110/204IR70	20.5	21.5
204-110-L /204IR110-L/204IR70-L	22	23
204-145/204IR145	20	21
204-145-L /204IR145-L	22	23
204WW*	21	22
204WW-L*	23	24

\* Same weight for all wash wiper housings

## RECOMMENDED MOUNTING ACCESSORIES

SSBK204:	AISI316L Stainless Steel wall mounting bracket with swivel
SSPM204:	AISI316L Stainless Steel Pole Mount adapter
SSPT300:	AISI316L Stainless Steel Pan & Tilt unit

## CERTIFICATIONS

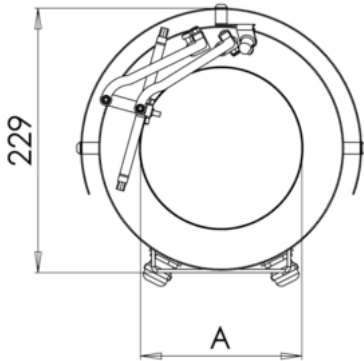
**Weatherproof standard:** IP67  
 CE Compliant

## RECOMMENDED SPARE PARTS AND ACCESSORIES

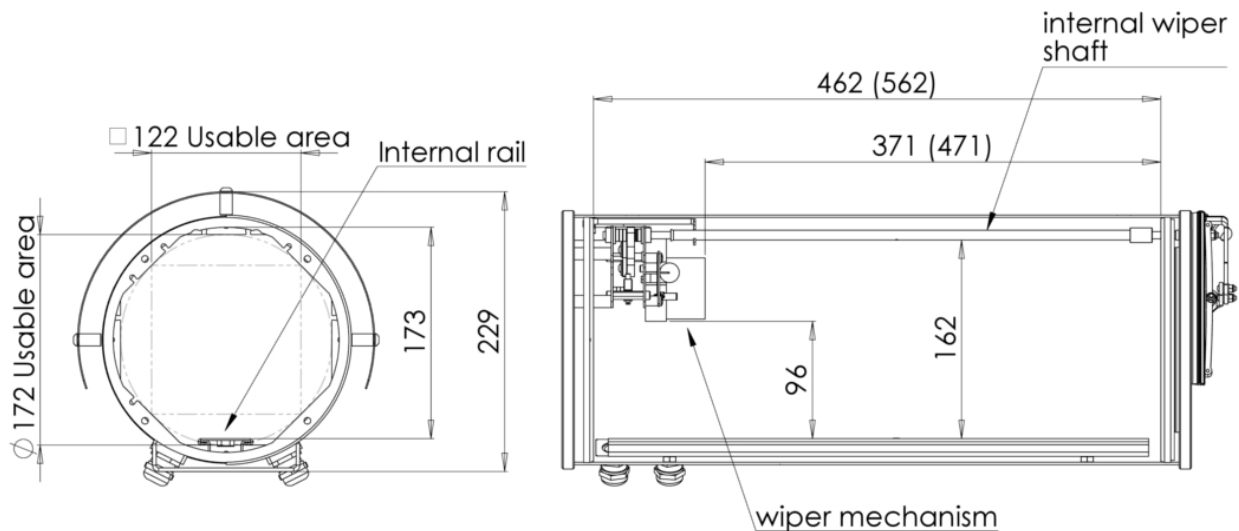
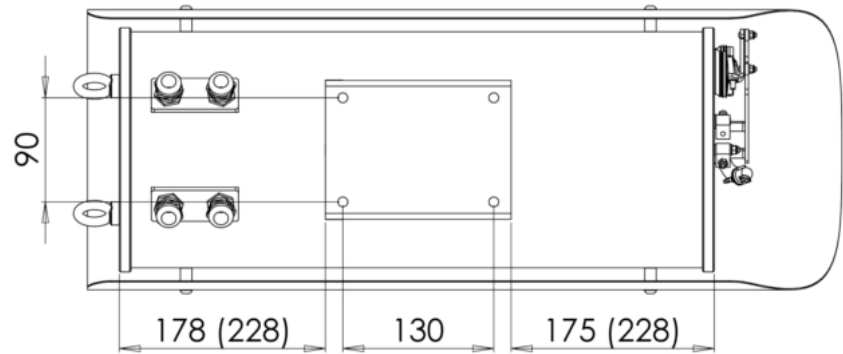
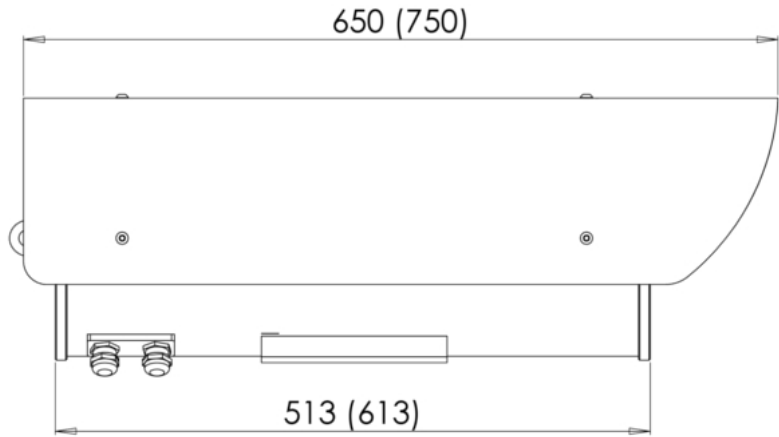
WB204	Complete wiper assembly
WBK204	Wiper blade spare part (only rubber blade and support)
HK204	Heater Kit 15W (24VDC, 24VAC, 100 VAC or 240 VAC available)
MK204	Maintenance Kit with O-ring seals, screws seals, screws, desiccant bags.

# Dimensions

**FRONTAL VIEW**



**SIDE VIEW**



**Dimensions in brackets refer to models 204 with 600 mm tube length**

Available measures for "A"

- A = **110** mm for 204-110, 204-110-L, 204SH110 and 204SH110-L
- A = **145** mm for 204-145, 204-145-L, 204SH145 and 204SH145-L
- A = **120** mm for 204WW120 and 204WW120-L
- A = **140** mm for 204WW140 and 204WW140-L
- A = **70** mm for 204IR70 and 204IR70-L (germanium window)
- A = **110** mm for 204IR110 and 204IR110-L (germanium window)
- A = **145** mm for 204IR145 and 204IR145-L (germanium window)